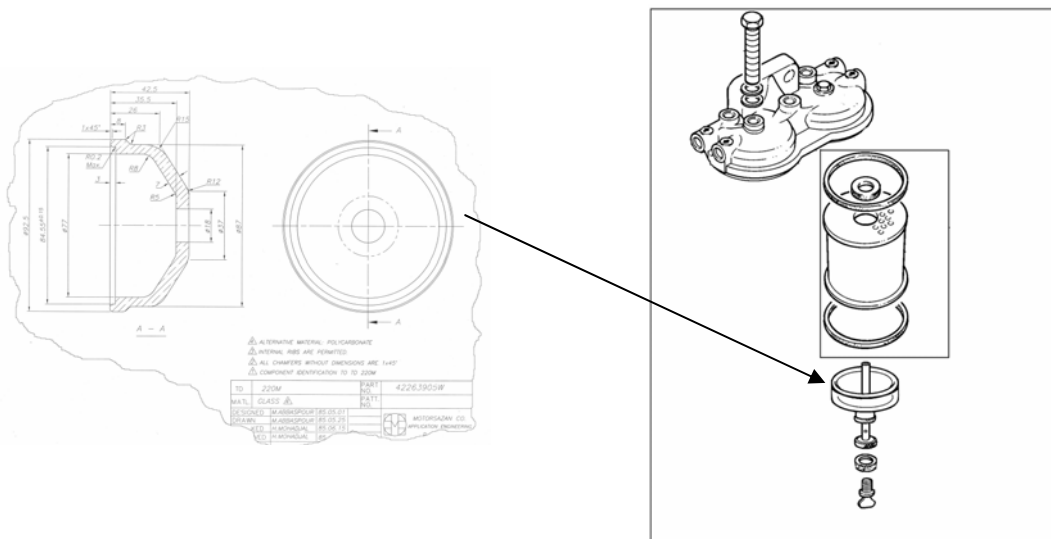


Title: Introducing Polycarbonate material for fuel filter bowl	Issue No.: 850-85-156
Engine type: General	Bulletin No.: 103
Application: General	Date: 1.Aug.2007

According to Motorsazan continuous improvement program, new material for fuel filter bowl is introduced.

Fuel filter bowl part number 42263905W permits the use of polycarbonate and creation of internal ribs. Polycarbonate material which is more expensive than acrylic or glass is lighter than glass and nearly unbreakable.

New bowls are used on 4.236 engines for Alfrat Ebro 470 tractor Application, serial number starting from LDAH1000T.



If you are willing to receive the subsequent numbers of Service Bulletin or to eliminate your name from the recipients list, please contact with Motorsazan, Application Engineering Dept, Publication Unit.

Fax: +98 (411) 4245945-6

E- Mail: mail@motorsazan.ir